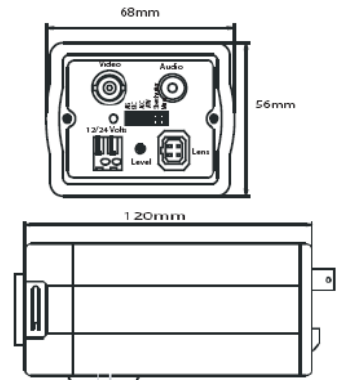


New Range Sony™ CCD - Hitachi DSP Cameras

Sony 1/3" CCD 540/ 620TVL Hitachi DSP C/CS Box Camera with Audio

TC258HTCCS



Professional, High Resolution Day/ Night "Body/ Box" camera with a SONY High-Resolution 540TVL 1/3" CCD & integrated Hitachi DSP. This camera delivers stunning images at up to 620 TV lines using enhanced digital image process technology. Super digital noise reduction (SDNR) reduces low light level picture noise and uses up to 70% less hard drive space on motion detection recording

The TC258HSTCCS delivers 540 TV lines colour imaging under normal lighting conditions and automatically switches to 640 TV lines B/W in low light night to provide clear-cut images of any movement while maintaining high shutter speeds.

0.0005 lux sensitivity using slow shutter and 0.01lux without the use of slow shutter allows clear images to be captured in less than adequately lit environments or even in near darkness.

TECHNICAL SPECIFICATIONS

TC258HSTCCS			
Image Sensor	1/3" Sony™ CCD	White Balance	User selectable
Horizontal Resolution	>540/ 620 TVL	Gain Control	User selectable
Shutter Speed	3/5 sec. to 1/120,000 sec.	Smear Effect	<0.005%
Synch System	Internal	Lens Type	C/CS Mount
Noise Reduction	Super Digital Noise Reduction	Mirror Function	Yes
Video Output	1.0Vp ~p Composite 75Ohm	Power Source	AC/DC - 8 ~ 30v
Min. Illumination	0.0005lux @ F1.2 (sens up x 32)	Operating Current	130mA Max
S N Ratio	>60dB – AGC Off	Lens	3.6 & 6mm Options
Back Light Comp.	User selectable	Operating Temp.	-10 ~ +40
Audio Output	2 Vpp, 75 ohms via phono con	Humidity	Within 90% RH
Gamma Correction	R =0.45	Output Terminals	BNC & RCA (Audio)



12 Months
Diamond
Warranty



www.tradecctv.net
sales@tradecctv.net

For more information call:

0800 027 0957